

mPCIe to GPIO module

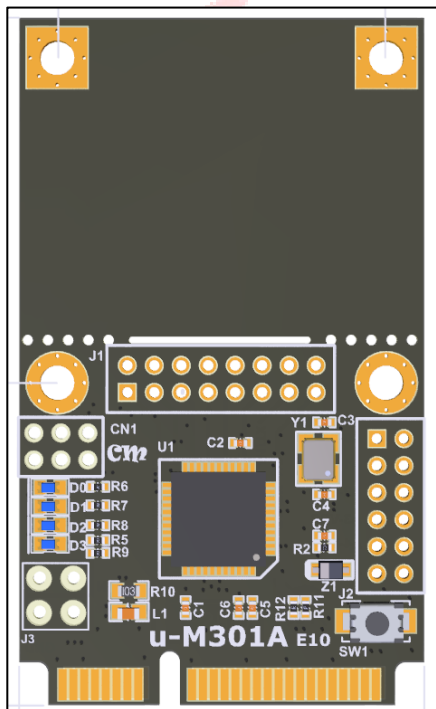
u-M301A is a Microprocessor Module based on the ATmega32u4. It has 20 digital input/output pins (of which 7 can be used as PWM outputs and 12 as analog inputs).

Specification

Model Name	u-M301A	
Host	mPCIe Gold Finger	
Microcontroller	ATmega32u4	
Pins	Digital I/O Pins	20
	Analog input pins	12
	PWM pins	7
Communication	UART	Yes
	I2C	Yes
	SPI	Yes
Power	3.3V (Internal)	5V (External)
Clock speed	Processor	ATmega32U4 16 MHz
Memory	ATmega32U4	2.5KB SRAM, 32KB FLASH, 1KB EEPROM



Pin Define for Reference



J1



IO13	IO11	IO9	D7	D5	D3/SCL	D1/TX	GND
GND	IO12	IO10	IO8	D6	D4	D2/SDA	D0/RX

J2



RESET	A0
AREF	A1
GND	A2
VCC	A3
VIN	A4
GND	A5

J3



GND	VIN
GND	3V3

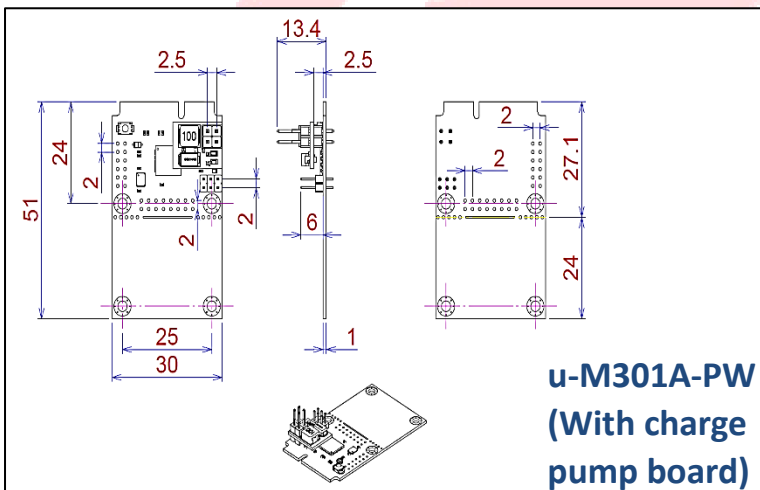
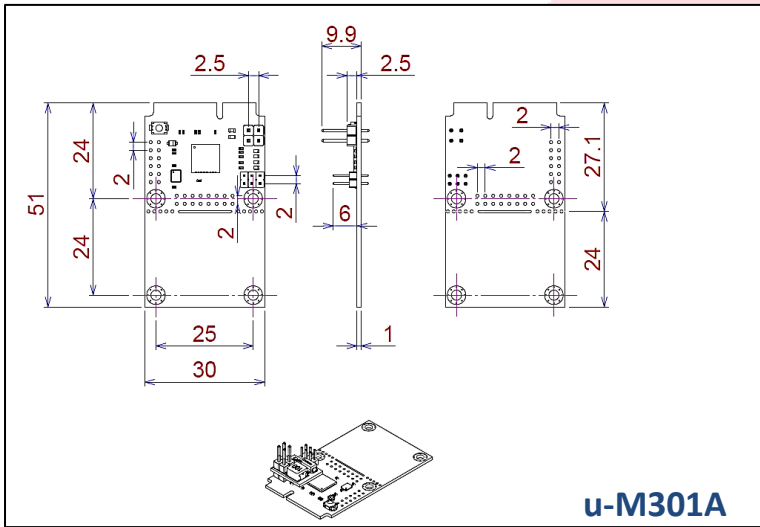
CN1



GND	MOSI	VCC
RESET	SCK	MISO



2D Drawing for Reference



Order Information

Part Number	Description
u-M301A	mPCIe to GPIO
u-M301A-PW	mPCIe to GPIO with charge pump board