

mPCIe to 2 or 4 port USB2.0

MH12A is designed for mPCIe to 2 or 4 port USB2.0

It's a tiny design for embedded system to extend 4 port USB2.0 by using the GL852G MTT controller.

Features

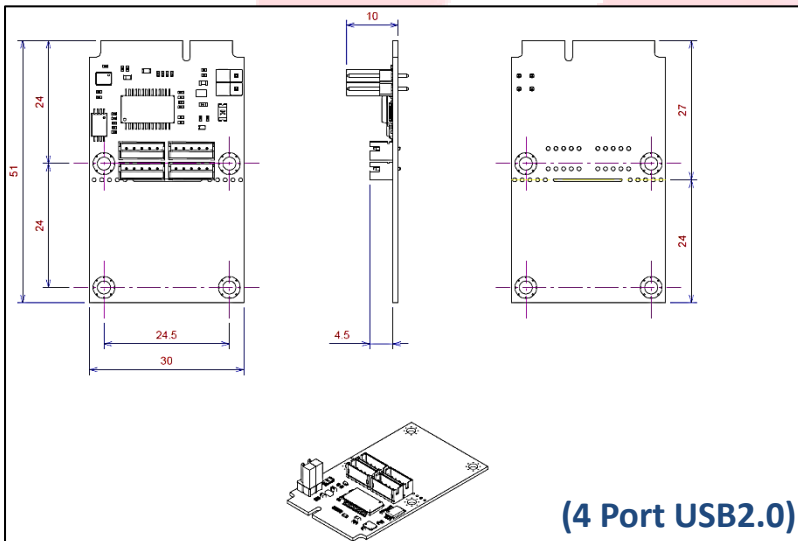
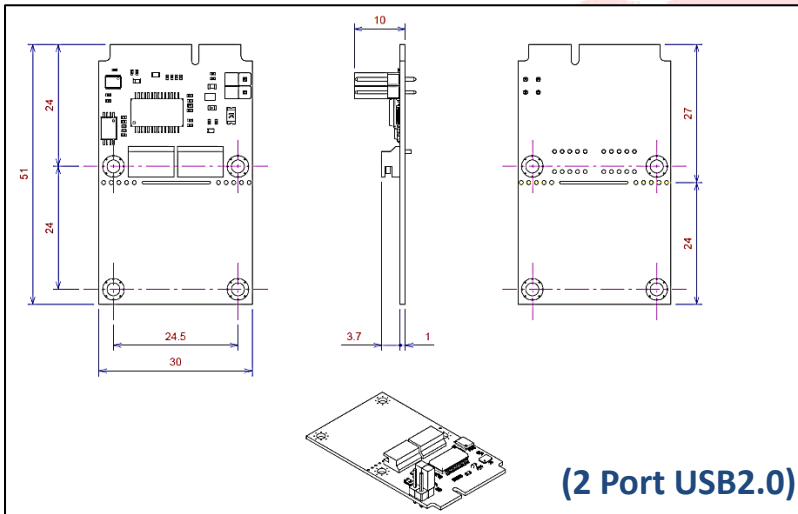
- ◆ Support Full/Half mPCIe size
- ◆ Compliant to USB specification Revision 2.0
- ◆ On-chip 8-bit micro-processor
- ◆ Multiple Transaction translator (MTT)
- ◆ Each downstream port supports two-color status indicator, with automatic and manual modes compliant to USB specification Revision 2.0
- ◆ Support both individual and gang modes of power management and over-current detection for downstream ports
- ◆ Conform to bus power requirements of USB 2.0 specification
- ◆ Automatic switching between self-powered and bus-powered modes
- ◆ Integrate USB 2.0 transceiver

Specification

Model Name	MH12A
Host	mPCIe Gold Finger
Device	USB2.0*2 or USB2.0*4
Power	3.3V(Internal)
	5V(External)
Operation Temperature	(Commerce Grade) : 0~+85°C
Dimension (Maximum)	L*W*D=51*30*10(mm)
Weight	≒ 10g



2D Drawing for Reference



Order Information

Part Number	Description
MH12A-U2P	mPCIe to USB2.0*2port
MH12A-U2C	mPCIe to USB2.0*2port with charge pump board
MH12A-U4P	mPCIe to USB2.0*4port
MN12A-U4C	mPCIe to USB2.0*4port with charge pump board